



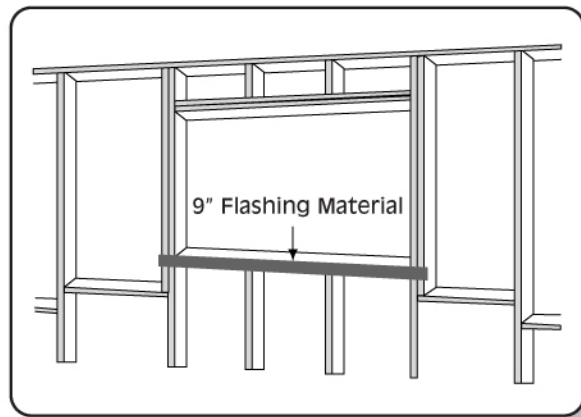
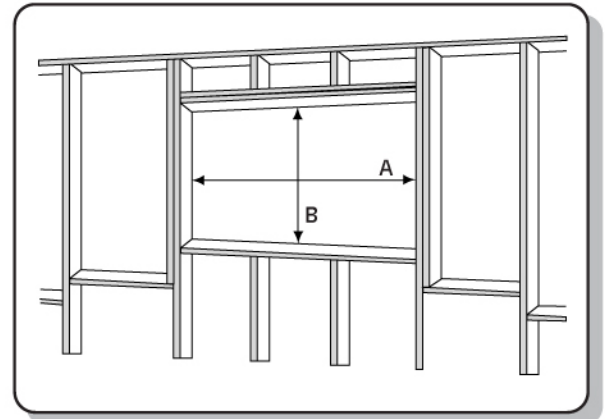
MOTION WINDOWS & GLASS PRODUCTS

RECOMMENDED INSTALLATION INSTRUCTIONS FOR NAIL-ON WINDOWS • WOOD FRAME CONSTRUCTION

Extreme caution should be used to avoid damage to windows during and after installation, and throughout construction!

1. Frame the rough opening $3/8"$ to $3/4"$ larger than the actual net window size. (Net window size does not include nail-on fin.) The framing should be plumb, square and level.

NOTE: For vinyl windows, a double sill plate is recommended.

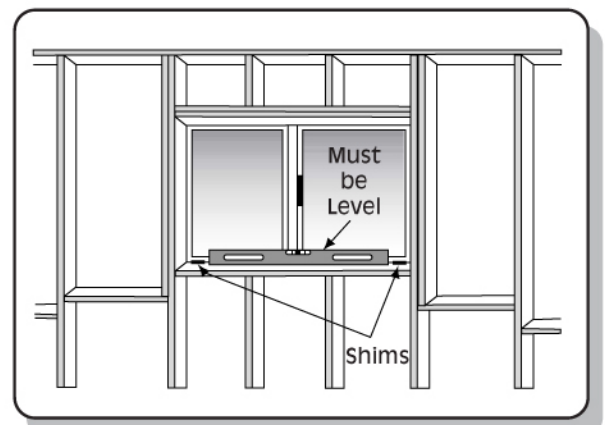


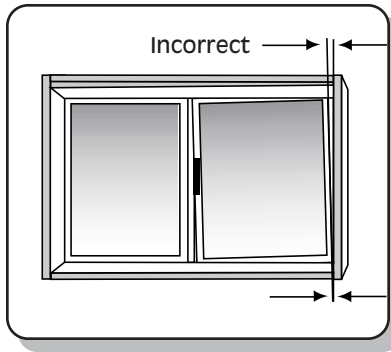
2. Apply the first strip of 9" flashing material horizontally along the sill plate. The top edge of the material should be leveled with the top edge of the rough opening. The flashing should extend $8-1/2"$ beyond the opening on each side.

3. Apply a continuous bead of sealant to the back side (interior surface) of the nail-on fin prior to installing the window. Note: Apply the sealant in line with any prepunched holes or slots located on the nail-on fin if provided.

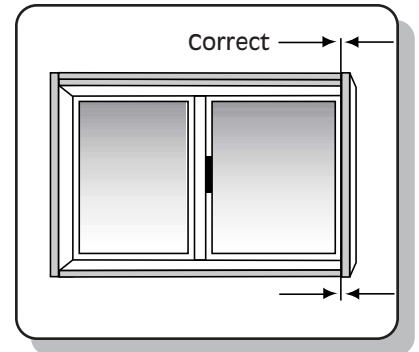
4. Immediately after sealant is applied place the window into the opening from the outside (handle goes to the inside), centered between the vertical studs. Shim and adjust the window as necessary to achieve a plumb and level condition, as well as an even reveal around the frame opening. Secure the jambs and sill with the equivalent of, 6d galvanized or aluminum nails, through the nail fin on a maximum of 16" center. Do not nail through the nail fin at the head - put the nails $1/2"$ above the fin and bend them over the fin.

NOTE: DO NOT shim directly under the vinyl window frame. Shim between the sill plates.





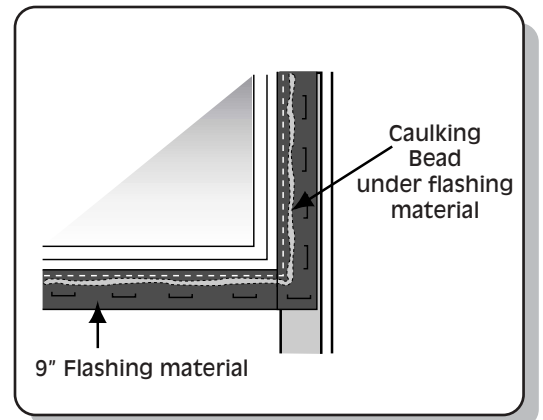
4A. To check for squareness, open the moving vent 1/2". The reveal should be the same at the top and bottom.



5. Apply a continuous and generous bead of sealant to the exposed nail fin vertical jambs. Continue the bead at the jamb vertically 8-1/2" above

the rough opening at the head of the window. The sealant should be applied in line with the pre-punched holes on the nail fin and over the head of the fasteners. Seal the full length of any mechanically fastened seams at the nail fin corners.

6. Install the 9" jamb flashing material by pressing the material into the sealant. Extend the jamb flashing 8-1/2" above the rough opening and 8-1/2" below the rough opening sill. Tack the flashing into place.



7. Apply a continuous bead of sealant across the window header at a height of 8-1/2" above the rough opening and a second bead across the nail fin. Extend the sealant 8-1/2" beyond the rough opening on each side to ensure that it will completely overlap the jamb flashing.

8. Cut and install the head flashing material by pressing the top and bottom edges into the sealant being careful to work out any air bubbles that could hold water. Extend the jamb flashing 10" beyond the opening on either side so as to ensure it completely overlaps the jamb flashing. Tack in place.

NOTES:

- The installer should be familiar with all relevant building code and regulations
- These instructions are to be used as a guide and actual conditions may change the installation process.
- Hinged and pivoted windows may require additional fasteners located near the hinge or pivot points.
- Field-applied protective coatings can damage window sealants and gaskets and are not recommended.
- Masking tapes should NOT be used on window surfaces as they may cause damage when they are removed.
- Stucco or concrete left to cure on frames and glass may damage these surfaces. Remove and clean all such materials from surfaces before any curing action takes place. Rinse all surfaces exposed to leaching water from new concrete or stucco with clean water to prevent permanent damage.
- Check local Building Codes for egress and safety glass requirements.
- Periodically check weep holes in the sill, keeping them clean and unclogged to ensure proper drainage.