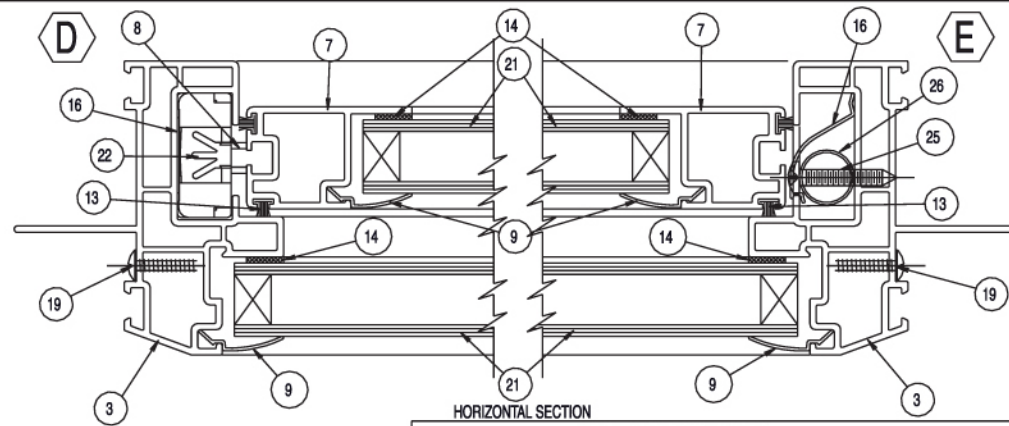
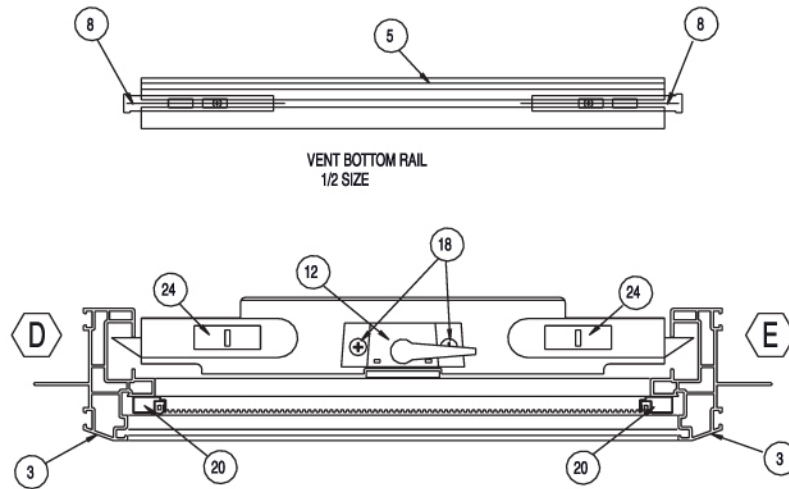


VERTICAL SECTION

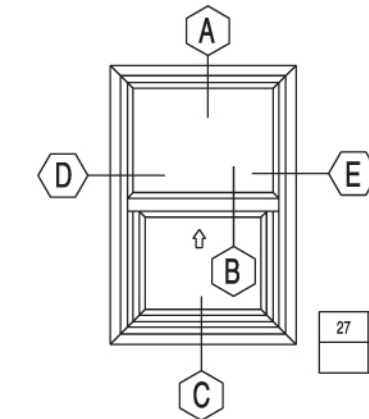


HORIZONTAL SECTION



VENT BOTTOM RAIL  
1/2 SIZE

HORIZONTAL SCREEN SECTION  
1/2 SIZE



WINDOW ELEVATION

BILL OF MATERIALS					
ITEM No.	SUPERIOR PART No.	NAME AND DESCRIPTION	OPERATION DWG No.		QTY
1	87-01	HEAD NAIL-ON MAIN FRAME			1
2	87-01	SILL NAIL-ON MAIN FRAME			1
3	87-01	JAMBS NAIL-ON MAIN FRAME			2
4	86-03	MULLION			1
5	86-04	VENT INTERLOCK 3/4" GLASS			1
6	87-03	VENT BOTTOM RAIL			1
7	87-03	VENT STILES			2
8	35-59	PIVOT BAR			2
9	66-07	DIG GLAZING BEAD			8
10	86-22M	MULLION REINFORCER			1
11	66-23	INTERLOCK REINFORCER			1
12	86-52 RH	LOCK & KEEPER			1
	86-52 LH	LOCK & KEEPER			
13	W-118	WEATHERSTRIPPING 220 HIGH .187 BACKING			1 X W 2 X H
14	66-66	FOAM GLAZING TAPE 1/16" X 1/2"			2 X W 4 X H
15	66-32	SETTING BLOCK			5
16	87-05	BALANCE COVER			2
17	87-06	HEAD COVER			1
18	F-049WVHSS	#6 X 3/4" P.F.H. V.H.S. S.S. (SASH LOCK)			8
19	F-064CVHSS	#6 X 1 3/4" P.T.H. V.H.S. S.S. (MULLION SCREEN (3/8"))			4
20		SCREEN (3/8")			1
21		I/G UNIT			2
22	35-58	PIVOT SHOE			2
23					
24	89-20RW 89-20LW	TILT LATCH			2
25	F-023C	#8 x 1" P.H.P. TYPE "A" CLEAR			2
26	35-55	SPIRAL BALANCE			2

27	87-04	SILL INSERT			1
----	-------	-------------	--	--	---

*C*	REMOVED FILLER BAR	BT	5/28/99
*B*	ADDED ITEM 16 AND ITEM 26	BT	3/09/99
*A*	ADDED ITEM 27 AND CHANGED ITEM 24	BT	9/15/98
LET.	REVISION	BY	DATE

**MOTION WINDOWS & GLASS PRODUCTS**

LOS ANGELES  
CALIFORNIA

DIVISION MOTION WINDOWS & GLASS PRODUCTS

TYPICAL LAYOUT - SERIES 8700  
VINYL SINGLE HUNG WINDOW

DRAWN BY:	MT	SCALE:	1:1	DRAWING No.	8700
CHECKED BY:		DATE:	1/24/95	REVISION:	*C* 05/28/99