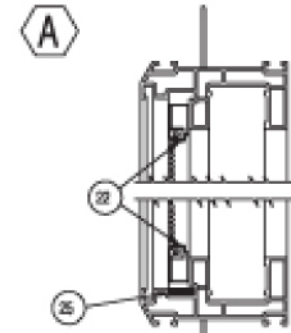


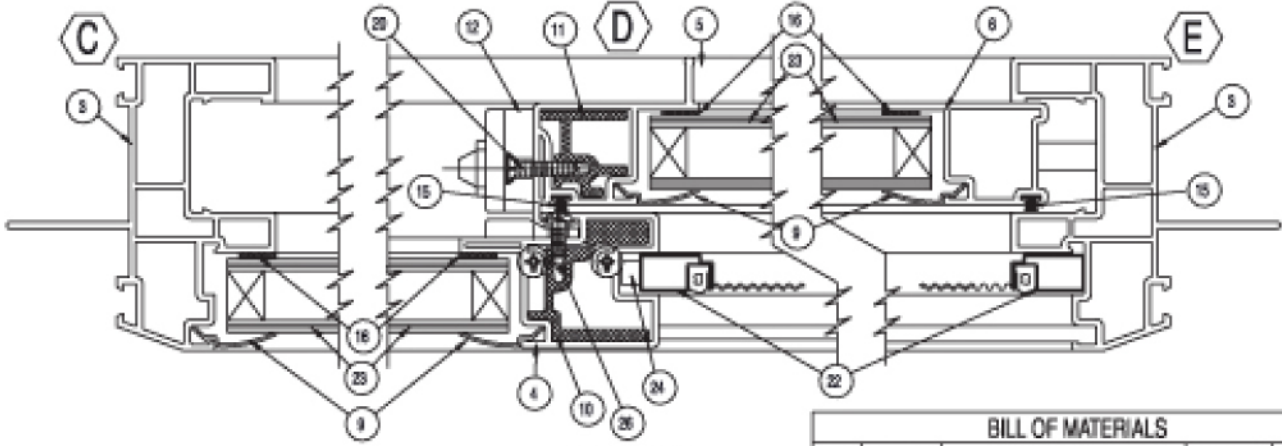
B

VERTICAL SECTION

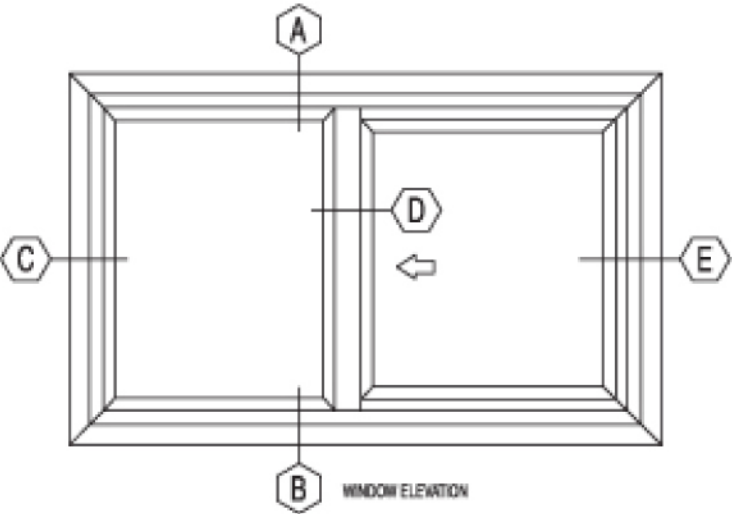


B

VERTICAL SCREEN SECTION
SCALE: 1/2



HORIZONTAL SECTION



WINDOW ELEVATION

BILL OF MATERIALS

ITEM No.	SUPERIOR PART No.	NAME AND DESCRIPTION	OPERATION DWG No.	QTY
1	88-01	HEAD SAIL-ON MINI-FRAME		1
2	88-01	SILL SAIL-ON MINI-FRAME		1
3	88-01	JAMB SAIL-ON MINI-FRAME		2
4	88-03	MULLION		1
5	88-04	VERT INTERLOCK 3/4" GLASS		1
6	88-04	VERT STOP		1
7	88-04	VERT TOP & BOTTOM RAIL		2
8	88-02	SLIT TRACK		1
9	88-07	3/8" SLIDING BEAD		8
10	88-23M	MULLION REINFORCER		1
11	88-23M	INTERLOCK REINFORCER		1
12	88-24	LOCK & KEYPIN		1
13	88-50	BRASS ROLLER ASSEMBLY		2
14				
15	W-118	WEATHERSTRIPPING 200% HIGH 30' BACKING		1.00W 2.00H
16	88-86	FOAM SLIDING TAPE 1/8" X 1/2"		2.00W 4.00H
17	88-30	ANTI-LIFT		1
18	88-21	FIBER SETTING BLOCK		2
19	88-32	VERT SETTING BLOCK		2
20	F-04M-85	SLIT 3/4" P111 V14.8 SLASH LOCK		2
21	F-04M-85	SLIT 3/4" P111 V14.8 MULLION		4
22		SCREEN (OPT)		1
23		PLANT		2
24		SCREEN SPRING (PLT) MULLION SIDE		2
25	V-105W	SCREEN BLOCK SLIT		2
26	F-002	SLIT 1/2" P111 MULLION		2

10'	FROM 13 PART NUMBERING CHANGED FROM 14 WAS REMOVED	BT	11/28/96
12'	REMOVED FILLER BAR	BT	8/27/96
13'	REVISED DIM 18, FROM 88-02	AP	9/18/97
14'	REVISED DIM 24 & 21, 19-18	AP	7/1/98
15'		BT	DATE

MOTION WINDOWS & GLASS PRODUCTS LOS ANGELES CALIFORNIA
 DIVISION MOTION WINDOWS & GLASS PRODUCTS
 TYPICAL LAYOUT - SERIES 8600 VINYL HORIZONTAL SLIDING WINDOW
 DRAWING: AP SCALE: 1:1 DRAWING No. 8600
 CHECKED BY: DATE: 1/19/95 REVISION: "D" 11/12/99