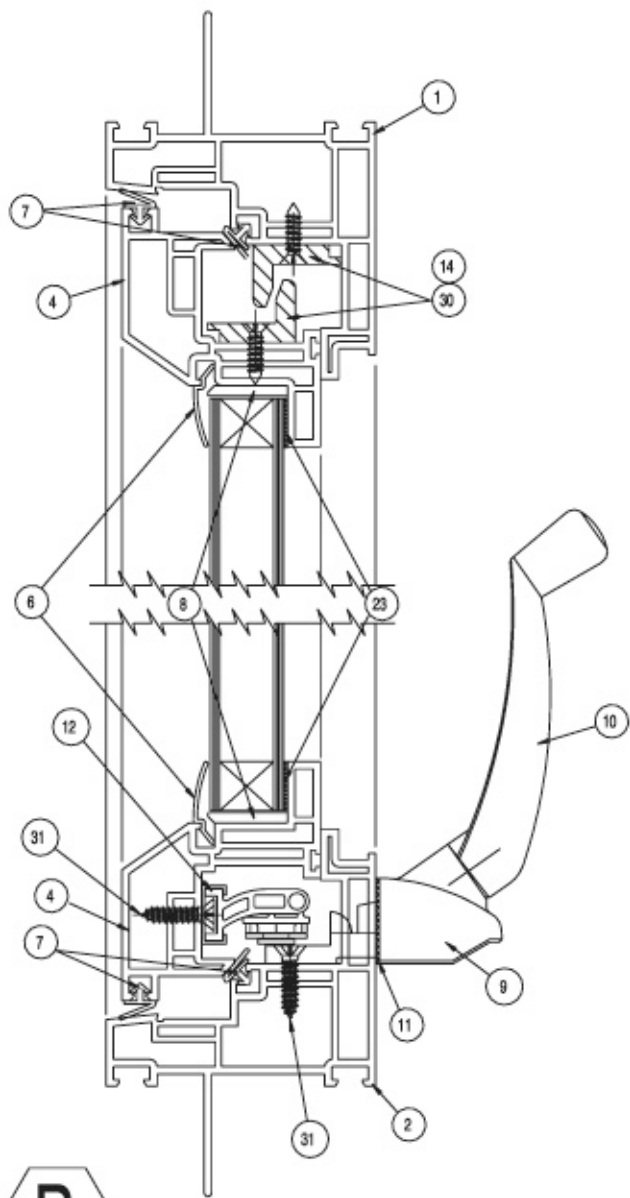
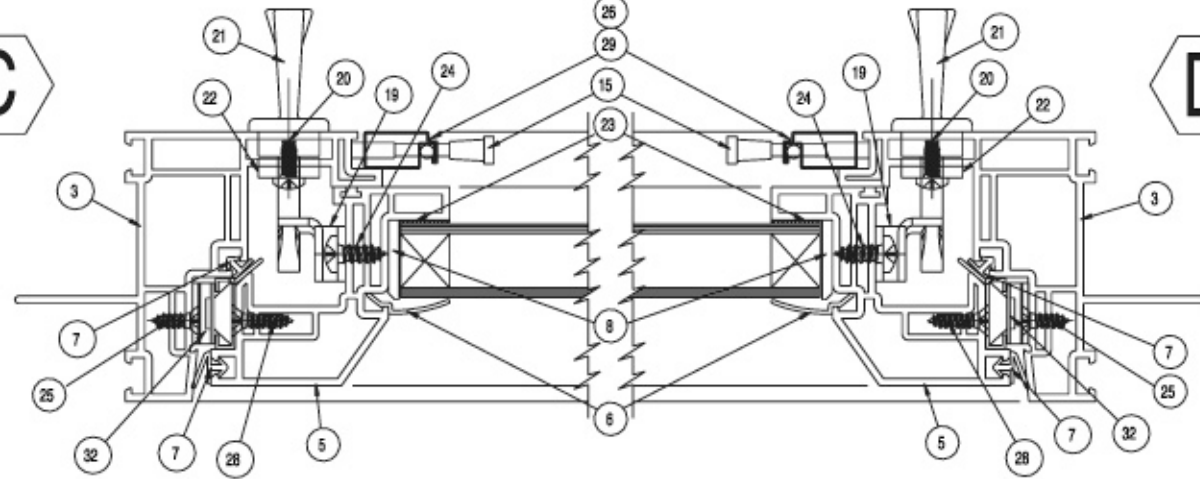


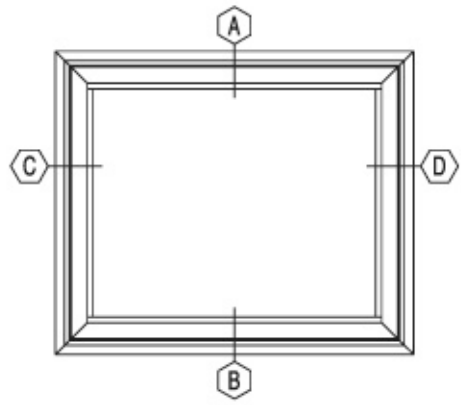
**A**



**C**



**D**



**B**

26	71-43	MOLDED SCREEN CORNER (WHITE SCREEN)			4WDW
27					
28	73-63	#7 x 5/8" FH SMS E-GUARD (HINGE SASH ARM) SCREEN		8	
29					1WDW
30	71-50	SNUBBERS (AS REQUIRED)		4	
31	73-50	#8 x 3/4" FH SMS E-GUARD (OPERATOR TRACK) AWNING HINGE (LEFT & RIGHT REQUIRED)		10	
32					2VENT
	73-57"	10"	1.6 WDW HT MAX		
	73-58"	14"	2.0 WDW HT MAX		
	73-59"	18"	2.6 WDW HT MAX		
	73-60"	22"	3.0 WDW HT MAX		

**BILL OF MATERIALS**

ITEM No.	SUPERIOR PART No.	NAME AND DESCRIPTION	OPERATION DWG No.	QTY
1	71-11	HEAD NAIL ON MAIN FRAME		1
2	71-11	SILL NAIL ON MAIN FRAME		1
3	71-11	JAMBS NAIL ON MAIN FRAME		2
4	71-12	TOP & BOTTOM RAILS VENT FRAME		2
5	71-12	STILES VENT FRAME		2
6	66-07	GLAZING BEAD		4
7	W-119	WEATHER STRIPPING		4 X H 4 X W
8	66-32	SETTING BLOCK		4
9	73-55"	OPERATOR - MAXIM AWNING		1
10	73-21"	CRANK HANDLE		1
11	73-22	OPERATOR BASKET		1/OPER
12	73-56	TRACK & SLIDER ASSY		1/VENT
13				
14	F-080WVHSS	#6 x 5/8" PH VHS (SNUBBERS)		2/ SNUBBER
15	71-60	PLUNGERS (ALMOND SCREEN)		4
16				
17				
18				
19	73-66	KEEPER		2
20	73-51	4-52 x 3/4" PH E-GUARD (LOCK HANDLE)		2/LKNDL
21	73-63	LOCK ASSEMBLY		2/VENT
22	72-31	AWNING MOUNTING PLATE		2/VENT
23	66-66	FOAM GLAZING TAPE 1/2" X 1/2"		2 X W 2 X H
24	F-087SCC	8 x 10" TRUSS HEAD SCREW (LOCK KEEPERS)		4
25	73-54	7 x 1/2" FH UNDERCUT SMS E-GUARD (HINGE TRACK)		8

MOTION WINDOWS & GLASS PRODUCTS LOS ANGELES CALIFORNIA

DIVISION MOTION WINDOWS & GLASS PRODUCTS

**TYPICAL LAYOUT - AWNING WINDOW SERIES 7300**

"C"	ITEM 21 WAS A TRUTH MULTI-POINT LOCK	BT	03/19/90
"B"	ADDED TRUTH MAXIM HARDWARE	BT	03/25/96
"A"	ITEM 14 WAS 41-0265A PHOTO 02651	AP	10/30/97
LET	REVISION	BY	DATE

DRAWN BY:	MT	SCALE:	1:1	DRAWING No.:	7300
CHECKED BY:		DATE:	6/20/95	REVISION:	"C" 02/18/99