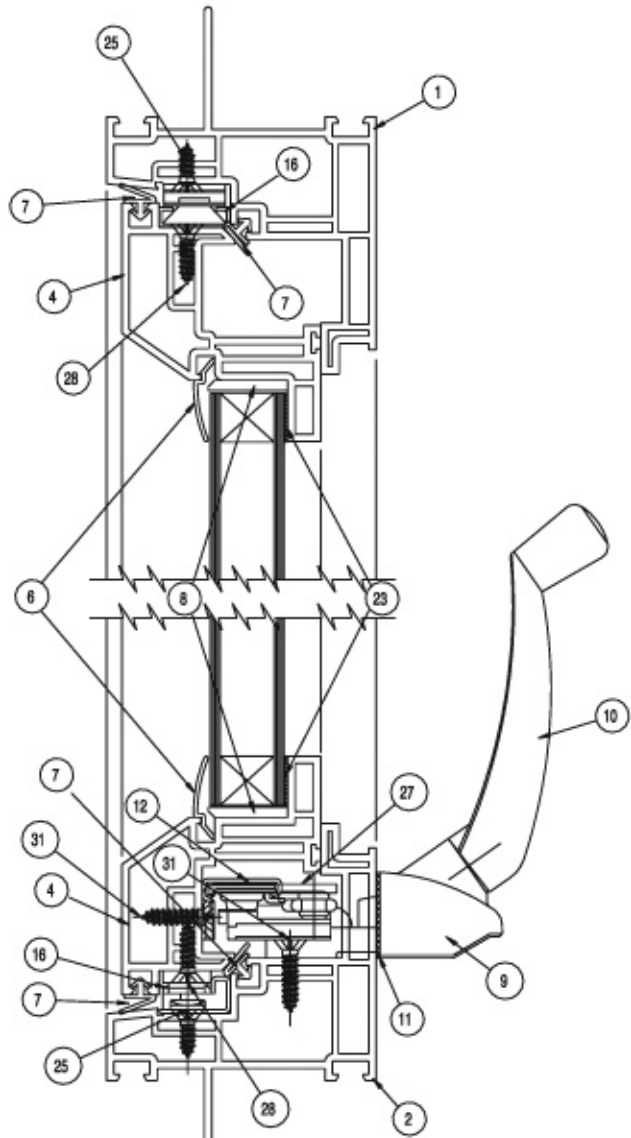
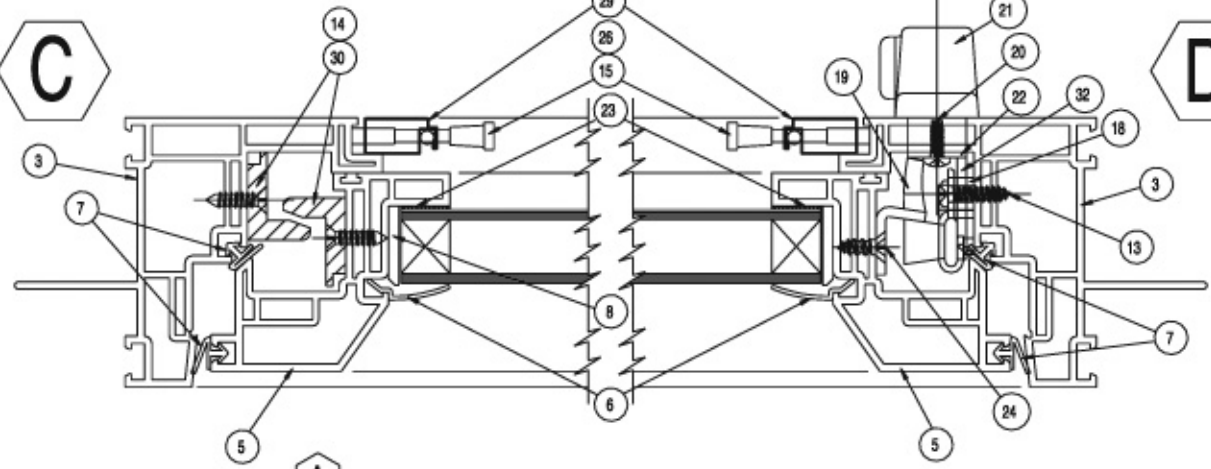


**A**

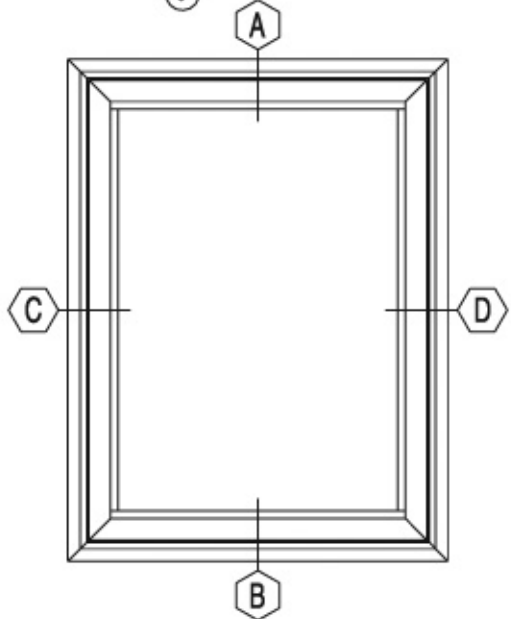


**B**

**C**



**D**



26	71-43	MOLDED SCREEN CORNER		4WOW
27	73-26LH 73-26RH	SASH BRACKET		1OPER
28	73-53	#7 x 3/8" FH SMS E-GUARD (HINGE SASH ARM)		8
29		SCREEN		1WOW
30	71-50	SMURBERS (AS REQUIRED)		
31	73-50	#6 x 3/4" FH SMS E-GUARD (OPERATOR TRACK STUD BRACKET)		12
32	73-40 73-41 73-42 73-43 73-44 73-45 73-46 73-47 73-48	TIE BAR ASSEMBLY	5.0 4.6 4.0 2.0 3.6 2.0 2.6 5.8 8.0	1VENT

**BILL OF MATERIALS**

ITEM No.	SUPERIOR PART No.	NAME AND DESCRIPTION	OPERATION DWG No.	QTY
1	71-11	HEAD NAIL ON MAIN FRAME		1
2	71-11	SILL NAIL ON MAIN FRAME		1
3	71-11	JAMBS NAIL ON MAIN FRAME		2
4	71-12	TOP & BOTTOM RAILS VENT FRAME		2
5	71-12	STILES VENT FRAME		2
6	66-07	GLAZING BEAD		4
7	W-119	WEATHER STRIPPING		4 X H 4 X W
8	66-32	SETTING BLOCK		4
9	73-18RH 73-28LH	OPERATOR - RIGHT HAND - LEFT HAND		1
10	73-21A 73-21W	CRANK HANDLE		1
11	73-22	OPERATOR GASKET		1OPER
12	73-25	CASEMENT TRACK SLIDER		1VENT
13	F-023CSS	#6 x 1" PIP SMS CLEAR 188 SS (TIE BAR GUIDE)		6
14	F-000WVBS	#6 x 3/8" PPH WBS (SMURBERS)		8
15	71-60	PLUNGERS (SCREEN)		4
16	73-29	CASEMENT HINGE		2VENT
17				
18	73-34	TIE BAR GUIDE		3
19	73-36LH 73-36RH	KEEPER		3
20	73-51	8-32 x 3/8" PPH E-GUARD (LOCK HANDLE)		2LXIDL
21	73-57LH 73-56RH	LOCK ASSEMBLY		1LXBAR
22	73-39	SUPPORT PLATE		2LXIDL
23	66-66	FOAM GLAZING TAPE 1 1/2" X 1/2"		2 X H 2 X W
24	73-49	8 x 1/2" FH SMS E-GUARD (LOCK KEEPER)		6
25	73-52	7 x 1/2" FH UNDERCUT SMS BS (HINGE TRACK)		8

**MOTION WINDOWS & GLASS PRODUCTS** LOS ANGELES CALIFORNIA

DIVISION MOTION WINDOWS & GLASS PRODUCTS

TYPICAL LAYOUT - CASMENT WINDOW SERIES 7100

DRAWN BY: MT SCALE: 1:1 DRAWING No: 7100

CHECKED BY: DATE: 3/28/94 REVISION: \*A\* 01/26/98

1/28/98 TILTH HARDWARE WAS ADDED