

VERTICAL SECTION
(THRU SIDE FRAMES)

MOTION WINDOWS & GLASS PRODUCTS

LOS ANGELES
CALIFORNIA

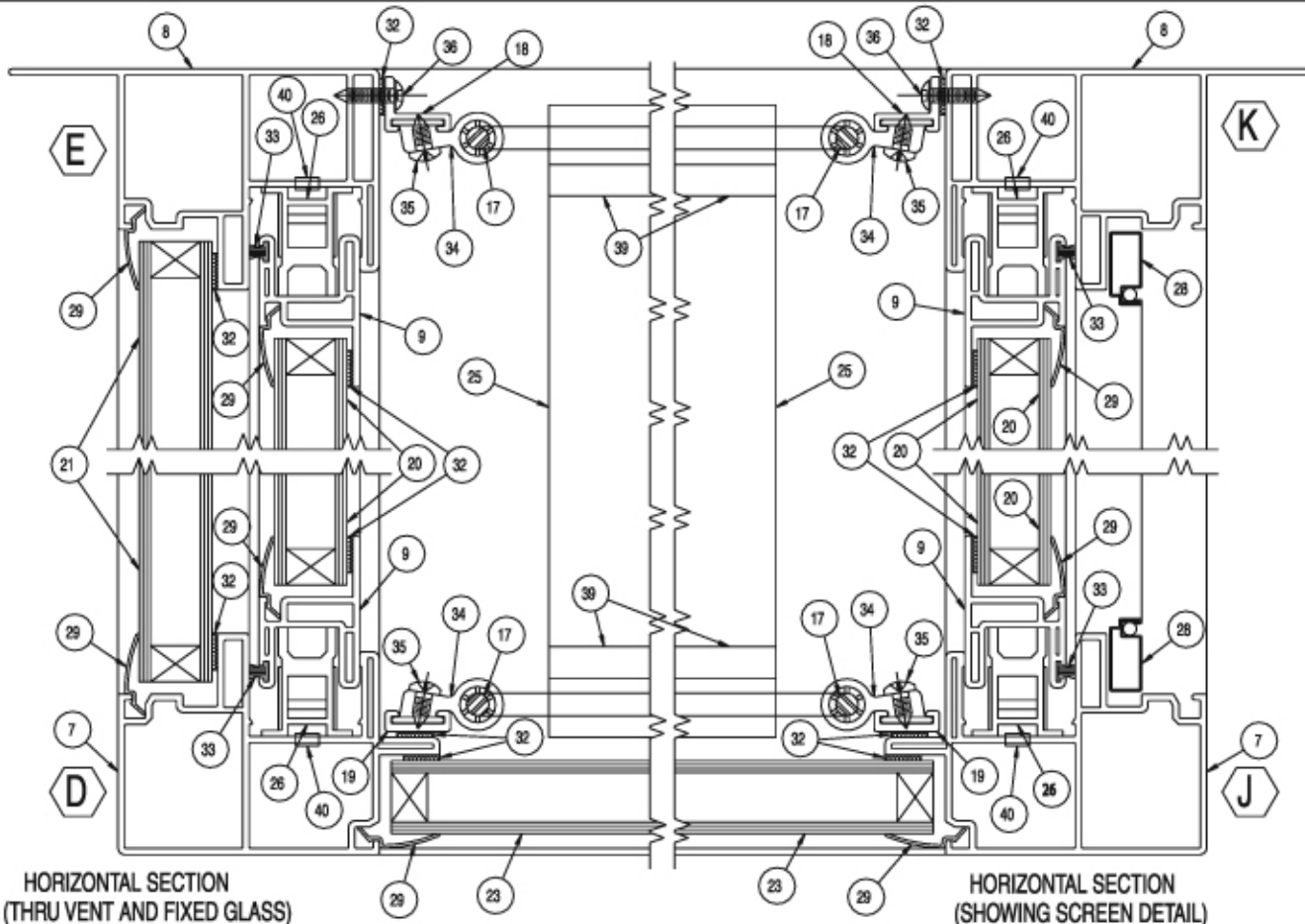
DIVISION MOTION WINDOWS & GLASS PRODUCTS

SERIES 445/425 VINYL GREENHOUSE WINDOWS

DRAWN BY: BT SCALE: 1:1

DRAWING No. 445

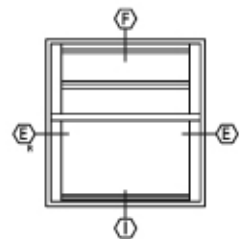
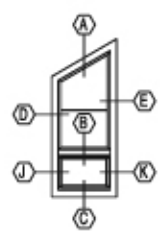
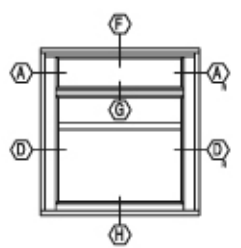
CHECKED BY: DATE: 01/29/89 REVISION:



HORIZONTAL SECTION
(THRU VENT AND FIXED GLASS)

HORIZONTAL SECTION
(SHOWING SCREEN DETAIL)

42		ANGLE BRACKET			2
43	33-17	CENTER SHELF SUPPORT BAR			1

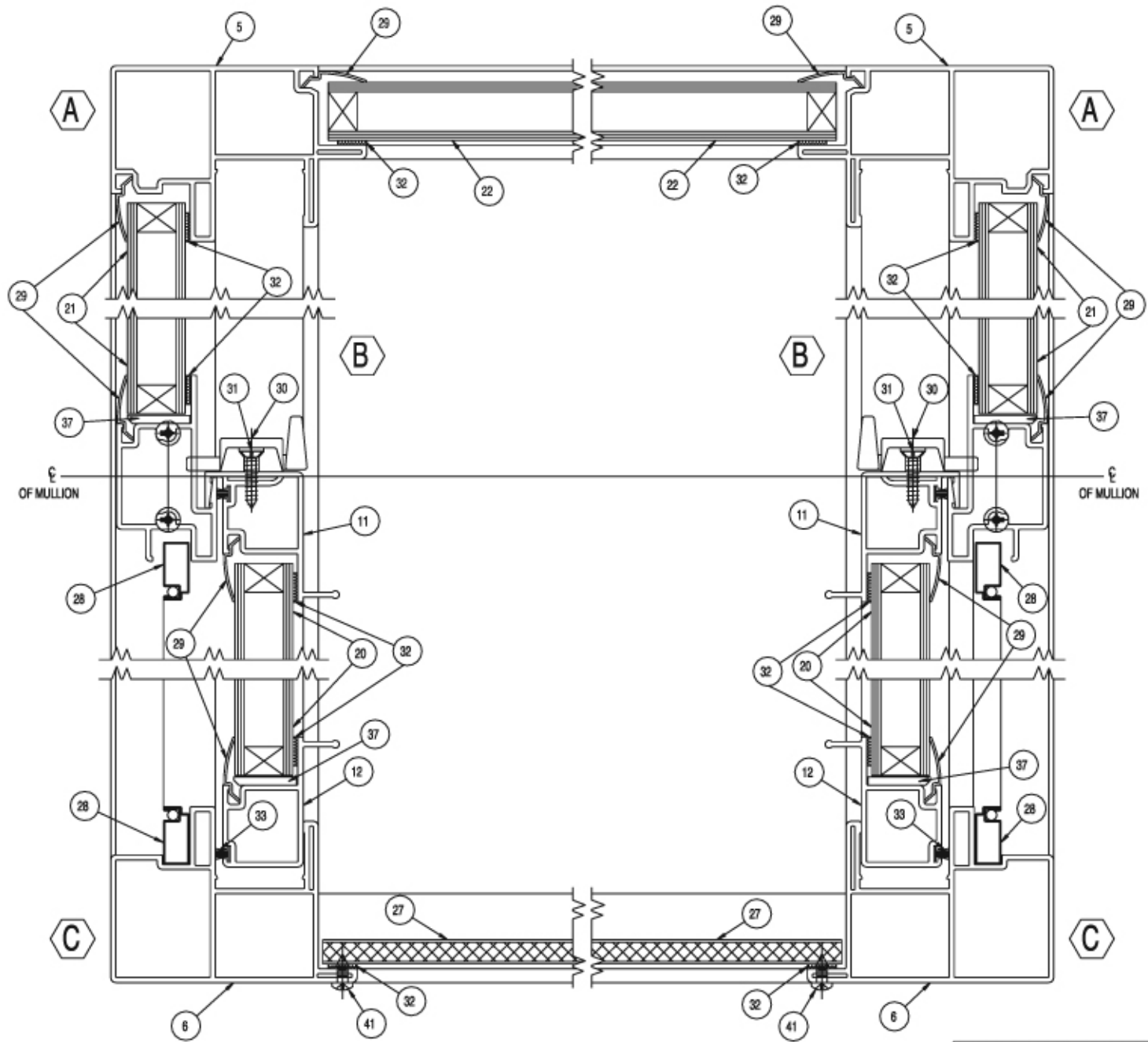


BILL OF MATERIALS

ITEM No.	SUPERIOR PART No.	NAME AND DESCRIPTION	OPERATION DWG No.	QTY
1	44-01	FRONT HEAD		1
2	44-02	FRONT SILL		1
3	44-03	BACK HEAD		1
4	44-04	BACK SILL		1
5	44-05	SIDE FRAME HEAD		2
6	44-07	SIDE FRAME SILL		2
7	44-05	SIDE FRAME FRONT JAMB		2
8	44-06	SIDE FRAME BACK JAMB		2
9	67-06	VENT STILE		4
10	44-08	MULLION		2
11	67-04	VENT INTERLOCK		2
12	89-03	VENT BOTTOM RAIL		2
13	44-10	FRONT HEAD ALUMINUM REINFORCER		1
14	44-11	FRONT SILL ALUMINUM REINFORCER		1
15	44-12	BACK HEAD ALUMINUM REINFORCER		1
16	44-13	BACK SILL ALUMINUM REINFORCER		1
17	325-31	SHELF (1 @ ALL WDS OR 10 96-0" SUPPORT ROD 2 @ 96-0" WDS.)		4/ SHELF
18	44-14	ALUMINUM SELF SUPPORT (BACK)		2
19	44-15	ALUMINUM SELF SUPPORT (FRONT)		2
20		VENT GLASS @ SIDES		2
21		FIXED GLASS @ SIDES		2
22		FIXED GLASS @ TOP		1
23		FIXED GLASS @ FRONT		1
24		FIXED GLASS @ TOP AND FRONT		1
25		GLASS SHELF		
26	35-55	BLOCK AND TACKLE BALANCE		2/VENT
27		BOTTOM PAN		1
28		SCREEN		2
29		GLAZING BEAD		
30	66-52	SWEEP LOCK		2
31	F-040WHSS	#6 x 3/4" PPH V.H.S. S.S. (SASH LOCK)		2
32	66-66	FOAM GLAZING TAPE		2xW 4xH
33	W-118	WEATHERSTRIPPING 220 HIGH, 187 BACKING		1xW 2xH
34	33-59	SHELF SUPPORT BRACKET		4/ SHELF
35	F-041	#10 - 24 x 3/8" PPH, TYPE "F"		4/ SHELF
36	F-026SSW	#6 x 5/8" PAN SQUARE DRIVE S.M.S.		2
37	66-32	VENT SETTING BLOCK		4
38	V-060	GLAZING VINYL		4
39	33-23W	GLASS SHELF TRIM		4
40	35-51	CLIP, BALANCE TAKE OUT		2/VENT
41	F-001	#6 x 3/8" PPH S.M.S.		4/ SHELF

MOTION WINDOWS & GLASS PRODUCTS LOS ANGELES CALIFORNIA
 DIVISION MOTION WINDOWS & GLASS PRODUCTS
 SERIES 445/425 VINYL GREENHOUSE WINDOWS

DRAWN BY: BT	SCALE: 1:1	DRAWING No: 445
CHECKED BY:	DATE: 01/29/99	REVISION:



VERTICAL SECTION
(THRU VENT AND FIXED GLASS @ SIDE FRAMES)

MOTION WINDOWS & GLASS PRODUCTS		LOS ANGELES CALIFORNIA	
DIVISION MOTION WINDOWS & GLASS PRODUCTS			
SERIES 445/425 VINYL GREENHOUSE WINDOWS			
DRAWN BY:	BT	SCALE:	1:1
CHECKED BY:		DATE:	01/29/99
		DRAWING No.:	445
		REVISION:	